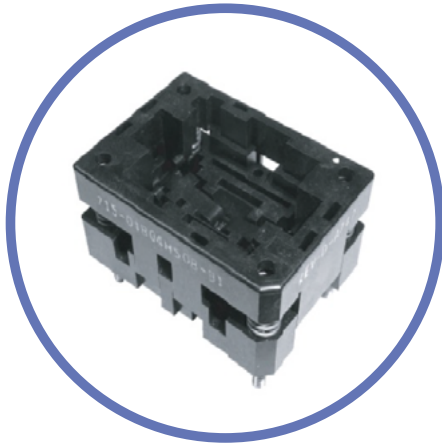


# 715 SERIES

## SOCKETS FOR CSP/BGA PACKAGES



### Features

- Open top
  - Compression surface mount
  - Spring and probe contact
  - 4 point crown tip interface on DUT solder ball
  - Pointed probe maintains continuous contact to PCB
  - Spring loaded floating locater plate
  - Any pitch or pitch combination .4mm and greater
  - Threaded inserts available
- Available with high performance pin



### SPECIFICATIONS

#### Materials and Specifications

<b>Body Materials</b>	PEI, PES, or Equivalent
<b>Contact Material</b>	Beryllium Copper Alloy
<b>Contact Plating</b>	Gold over Nickel
<b>Contact Force</b>	12-15 grams average
<b>Contact Resistance</b>	350 mΩ typical
<b>Temperature Rating</b>	Burn-in 125°C Higher Temperatures, consult factory
<b>Durability</b>	10,000 cycles min.

Pitch e (mm)	Maximum Lead Count	Minimum Body Size	Maximum Body Size	Maximum Matrix
0.50	200	2.5 x 2.5	12 x 14	22 x 22
0.65	200	2.5 x 2.5	12 x 14	21 x 21
1.00	121	2.5 x 2.5	12 x 14	11 x 11

For all other pitches, see next page

Pitch e (mm)	Package Size (mm)	Matrix	Part Number
0.50	4.5X4.5	11X11	715P12106-504-XX
	4X4	7X7	715-04904-504-XX
	5X5	9X9	715-04805-504-XX
	5X5	7X7	715-04811B5XX-XX
	5X5	9X9	715-05205-504-XX
	5X5	8X8	715-06405-5XX-XX
	5X5	9X9	715-07105-5XX-XX
	5X5	9X9	715-07105-504-XX
	5X5	9X9	715-07105-504)0(
	5X5	9X9	715-08105-5XX-XX
	5X5	9X9	715-08105-504-XX
	6X6	18X14	715-06010B504-XX
	6X6	18X18	715-18010-5XX-XX
	6X6	18X18	715-180010-5XX-XX-01
	6X6	14X10	715-06010D504-XX
	6X6	18X14	715-06010D504-XX
	6X6	4X10	715-04011B5XX-XX
	6X6	CUSTOM	715-04811B5XX-XX
	6X6	21X21	715-25611-504-XX
	6X6	CUSTOM	715-08611D504-XX-01
	6X6	CUSTOM	715-08611D504-XX
	6X6	21X21	715-24412-5XX-XX
	6X6	22X22	715-27212-500-XX
	6X6	21X21	715-28912-5XX-XX
	7 X7	12X12	715-08007-5XX-XX
	7X7	11X11	715-06407-504-XX
	7X7	12X12	715-08407-5XX-XX
	7X7	13X13	715-08407-504-XX
	7X7	12X12	715-10407-504-XX
	7X7	12X12	715-10007-504-XX
	7X7	12X12	715-10407-504-XX
	7X7	12X12	715-10807-5XX-XX
	7X7	13X13	715-10807-504-XX
	7X7	12X12	715-11207-5XX-XX
	7X7	12X12	715-11207-504-XX
	7X7	12X12	715-12807-5XX-XX
	7X7	12X12	715-14407-5XX-XX
	7X7	13X13	715-15307-504-XX

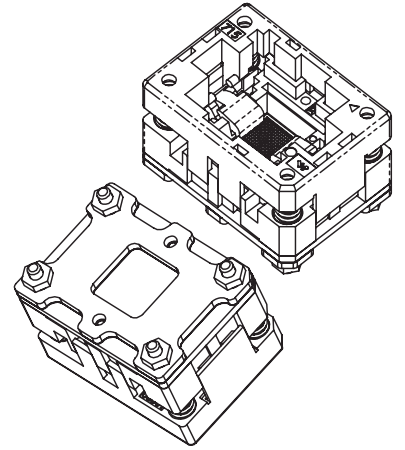
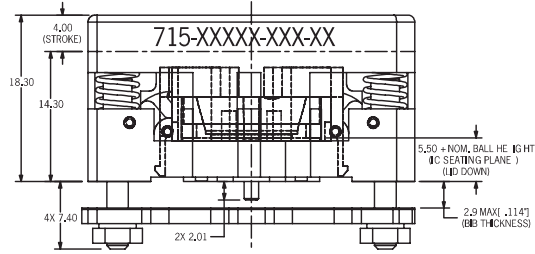
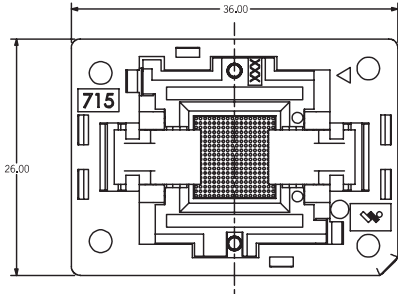
Pitch e (mm)	Package Size (mm)	Matrix	Part Number
0.50	7X7	13X13	715-16907-504-XX
	7.335X7.335	13X13	715-16407-5XX-XX
	7.850X7.750	13X13	715-16407-5XX-XX-01
	7.7X9	10X4	715-04009A5M-XX
	8X6	8X14	718-04408A504-XX
	8X6	CUSTOM	715-05208A5M-XX
	8X8	13X13	715-08308-504-XX
	8X8	14X14	715-09608-5XX-XX
	8X8	14X14	715-10808-5XX-XX
	8X8	14X14	715-10808-5XX-XX-01
	8X8	14X14	715-10808-5XX-XX
	8X8	14X14	715-12008-504-XX
	8X8	14X14	715-13208-5XX-XX
	8x8	14X14	715-13208-504-XX
	8X8	14X14	715-13208-504-XX
	8X8	13X13	715-14408-5XX-XX
	8X8	14X14	715-16008-5XX-XX
	8X8	14X14	715-19608-5XX-XX
	8.2X6	CUSTOM	715-05408A5XX-XX
	9X7.7	4X10	715-04009A5XX-XX
	9X7.7	4X10	715-04009A5XX-XX
	9X7.7	4X10	715-04009A5XX-XX
	9X8	8X14	715-04409DA0
	9X9	15X15	715-13709-5XX-XX
	9X9	15X15	715-13709-5XX-XX-01
	9X9	16X16	715-14809-5XX-XX
	9X9	16X16	715-16909-5XX-XX
	9X9	16X16	715-18809-504-XX
	10X8	10X10	715-05606-504-XX
	10X8	10X10	715-05606-504-XX
	10.95X9.95	7X7	715-04804HS04-XX
	10X10	10 X 10	715-07206-5XX-XX
	10X10	10X10	715-05606-5XX-XX
	11X8	10X10	715-08406-504-XX
	11X8	11X11	715-08806-5XX-XX
	11X10	10X10	715-06406-5XX-XX
	11X10	11X11	715-06406-5XX-XX
	11X11	10X10	715-08406-5XX-XX

Pitch e (mm)	Package Size (mm)	Matrix	Part Number
0.50	12X12	11X11	715-09606-5XX-XX
	12X12	10X10	715-10006-504-XX
	12X12	11X11	715-12106-504-XX
0.65	6X6	8X8	715-06406-604-XX
	7X4.5	10X6	715-05607A602-XX
	7 x7	9 x 9	715-07107-6XX-XX
	8X8	11X11	715-09608-6XX-XX
	12X12	17X17	715-24012-6XX-XX
0.80	8X8	9X9	715-08108-804-XX
1.00	6X7	5X5	715-02407D9XX-XX
	6X12	5X9	715-04412B9XX-XX
	7X4.5	5X3	715-01407A5XX-XX
	10X9	8X8	715-06410C904-XX
	13X10	8X8	715-06413A904-XX



# DIMENSIONS AND DIAGRAMS

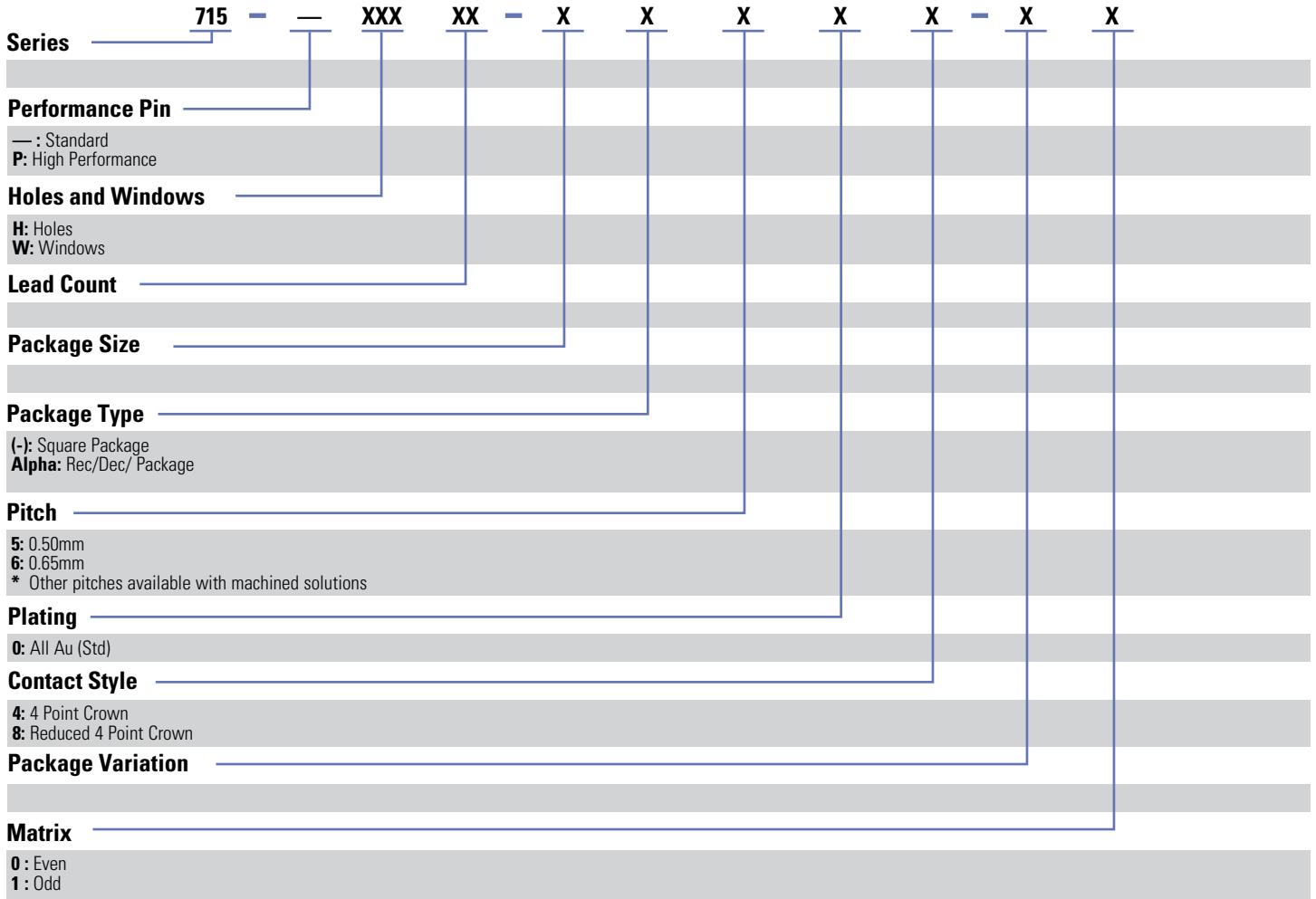
Dimensions in mm (inches)





# DESCRIPTION & ORDERING INFO

Example : 715 - - X XXX XX X X X X - X X



Revised 02/07/18

Sensata Technologies, Inc. ("Sensata") data sheets are solely intended to assist designers ("Buyers") who are developing systems that incorporate Sensata products (also referred to herein as "components"). Buyer understands and agrees that Buyer remains responsible for using its independent analysis, evaluation and judgment in designing Buyer's systems and products. Sensata data sheets have been created using standard laboratory conditions and engineering practices. Sensata has not conducted any testing other than that specifically described in the published documentation for a particular data sheet. Sensata may make corrections, enhancements, improvements and other changes to its data sheets or components without notice.

Buyers are authorized to use Sensata data sheets with the Sensata component(s) identified in each particular data sheet. HOWEVER, NO OTHER LICENSE, EXPRESS OR IMPLIED, BY ESTOPPEL OR OTHERWISE TO ANY OTHER SENSATA INTELLECTUAL PROPERTY RIGHT, AND NO LICENSE TO ANY THIRD PARTY TECHNOLOGY OR INTELLECTUAL PROPERTY RIGHT, IS GRANTED HEREIN. SENSATA DATA SHEETS ARE PROVIDED "AS IS". SENSATA MAKES NO WARRANTIES OR REPRESENTATIONS WITH REGARD TO THE DATA SHEETS OR USE OF THE DATA SHEETS, EXPRESS, IMPLIED OR STATUTORY, INCLUDING ACCURACY OR COMPLETENESS. SENSATA DISCLAIMS ANY WARRANTY OF TITLE AND ANY IMPLIED WARRANTIES OF MERCHANTABILITY, FITNESS FOR A PARTICULAR PURPOSE, QUIET ENJOYMENT, QUIET POSSESSION, AND NON-INFRINGEMENT OF ANY THIRD PARTY INTELLECTUAL PROPERTY RIGHTS WITH REGARD TO SENSATA DATA SHEETS OR USE THEREOF.

All products are sold subject to Sensata's terms and conditions of sale supplied at [www.sensata.com](http://www.sensata.com) SENSATA ASSUMES NO LIABILITY FOR APPLICATIONS ASSISTANCE OR THE DESIGN OF BUYERS' PRODUCTS. BUYER ACKNOWLEDGES AND AGREES THAT IT IS SOLELY RESPONSIBLE FOR COMPLIANCE WITH ALL LEGAL, REGULATORY AND SAFETY-RELATED REQUIREMENTS CONCERNING ITS PRODUCTS, AND ANY USE OF SENSATA COMPONENTS IN ITS APPLICATIONS, NOTWITHSTANDING ANY APPLICATIONS-RELATED INFORMATION OR SUPPORT THAT MAY BE PROVIDED BY SENSATA.

Mailing Address: Sensata Technologies, Inc., 529 Pleasant Street, Attleboro, MA 02703, USA.

## CONTACT US

Americas

480.682.6148 or 480.681.6116